



TSI BeerSAVER FOB DATA SHEET

TSI BeerSAVER Foam on Beer Detectors (FOB)s are used to stop beer foam from entering the beer line when a keg empties and a new keg is tapped. Most bars waste a pitcher or more of draft beer after re-tapping a keg before it is ready to serve.

Every keg that empties you waste



without
BeerSAVER



with
BeerSAVER

| Keg / Month | Feet of Beer Line | | | |
|-------------|-----------------------------------|-------|-------|-------|
| | 50' | 100' | 150' | 200' |
| 20 | \$20 | \$44 | \$68 | \$92 |
| 40 | \$68 | \$92 | \$140 | \$184 |
| 60 | \$116 | \$140 | \$208 | \$280 |
| 80 | \$160 | \$184 | \$280 | \$372 |
| | Beer Wasted per-Month (\$) | | | |

Benefits

Reduce Time to Pour from a New Keg

With BeerSAVERs installed, you can pour a pint of beer immediately after you re-tap the keg without the need to drain the line; beer pours cold, clear, and foamless.

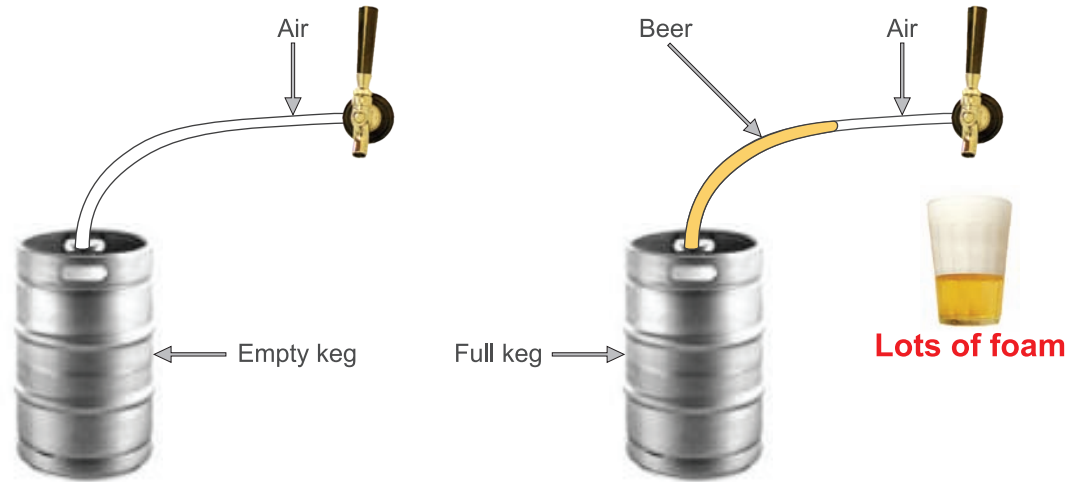
Eliminate Beer Spraying when a Keg empties

When kegs empty, the bartender and those sitting at the bar may get sprayed by beer. BeerSAVERs stop beer flow immediately when the keg empties, thereby eliminating sprayed beer.

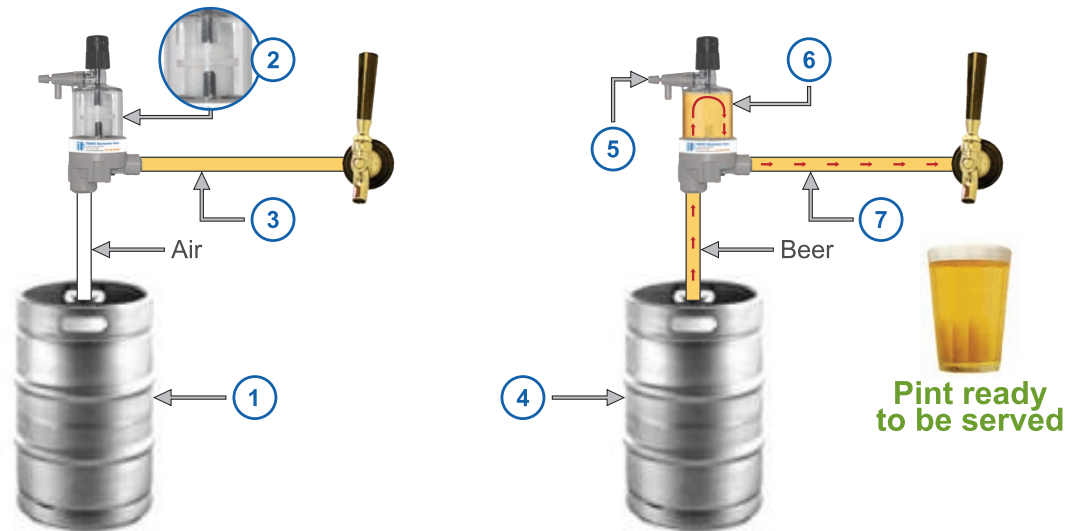
The return on investment is almost immediate as the system will nearly eliminate all beer wasted when re-tapping a keg.

TSI BeerSAVER

When you re-tap a keg **without the BeerSAVER ...**



When you re-tap a keg **with the BeerSAVER ...**



How the BeerSAVER Works

A FOB is placed between the keg and the tap and contains a float that will seal the outlet when the keg kicks. This float prevents pressurized carbon dioxide (CO₂) from entering in the beer line after re-tapping, creating a clean flow of beer without the need to drain the line.

1. Keg empties and kicks
2. Float seals entrance valve
3. Flow of beer stops
4. Re-tap new keg
5. Eject air from the BeerSAVER by pressing the button
6. Float rises, unsealing the entrance valve
7. Beer flows freely without air in the line